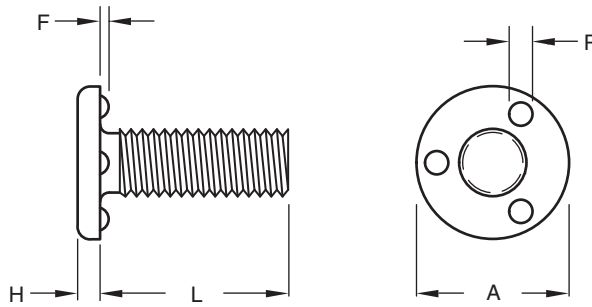
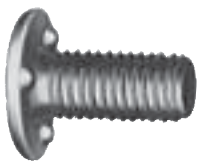


OHIO



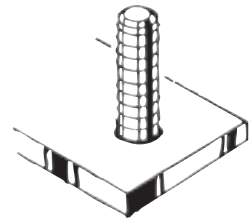
HWZ Stainless Steel Metric Weld Screw

Thread Size		M4 x 0.7-6g	M5 x 0.8-6g	M6 x 1.0-6g	M8 x 1.25-6g	M10 x 1.5-6g
Thread Pitch		0.7	0.8	1	1.25	1.5
Head	A-Diameter Tolerance	9.3 + 0.2 - 0.3	11.6 + 0.2 - 0.3	14.0 ± 0.3	18.8 ± 0.4	23.0 ± 0.4
	H-Height	1.3 ± 0.13	1.6 ± 0.13	1.9 ± 0.13	2.5 ± 0.13	3.1 ± 0.13
Projections	P-Diameter	1.78 ± 0.13	2.13 ± 0.13	2.54 ± 0.13	3.10 ± 0.13	3.56 ± 0.13
	F-Height	0.64 ± 0.05	0.81 ± 0.05	1.02 ± 0.05	1.20 ± 0.05	1.40 ± 0.05
Length (Overall) L Tolerance: Up to 25mm + 0.0 - 0.8 Over 25mm to 35mm + 0.0 - 1.6	8.0	HWZ 04008				
	10.0	HWZ 04010	HWZ 05010	HWZ 06010		
	12.0	HWZ 04012	HWZ 05012	HWZ 06012		
	16.0	HWZ 04016	HWZ 05016	HWZ 06016	HWZ 08016	
	20.0	HWZ 04020	HWZ 05020	HWZ 06020	HWZ 08020	HWZ 10020
	25.0	HWZ 04025	HWZ 05025	HWZ 06025	HWZ 08025	HWZ 10025
	30.0		HWZ 05030	HWZ 06030	HWZ 08030	HWZ 10030
	35.0		HWZ 05035	HWZ 06035	HWZ 08035	HWZ 10035



Intended for through-hole applications, the HWZ metric stainless steel weld screw, with its three projections located precisely under the head, permits flush mounting. The projections are of the exact height, diameter and mass to assure the proper positioning and balance for optimum welds. Through-hole use allows self-locating and eliminates the need for fixturing.

Recommended hole in sheet is .015 above the major diameter.



Material:Austenitic Stainless Steel

Finish: Passivated

Threads:ASME B1.13M-2005



The Ohio Nut and Bolt Company

Sales Office: Buckeye Fasteners • "Your Factory Source"

5250 West 164th Street • Cleveland Ohio 44142

Ph: (800)-437-1689 • Ph: (216)-267-2240 • Fax: (216) 267-3228

www.BuckeyeFasteners.com

A Division of Fastener Industries Inc. — An Employee Owned Company

© Copyright 2012 The Ohio Nut and Bolt Company

