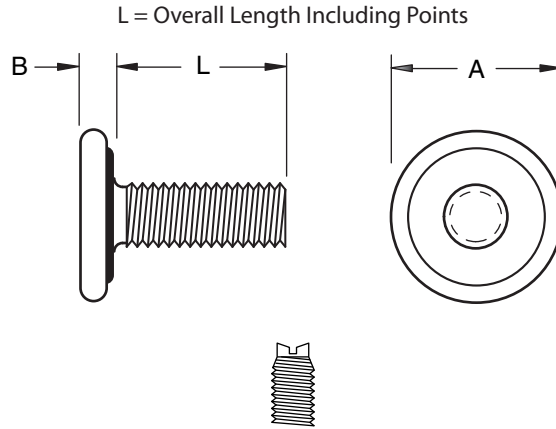


**Adjustable
Leveling
Glide With
Poly Base**



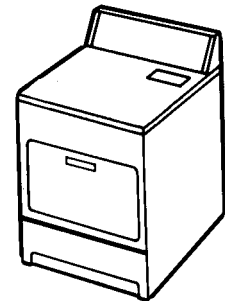
**Product
Specification
Sheet**

** GL • Sizes available with a slotted end for screw driver adjustments.*

Part Number	Thread Size	Thread Length	Base	
			Diameter	Height
			A	B
GL 2708	5/16-18	0.375	1.500	0.437
GL 2716	5/16-18	0.875	1.500	0.437
GL 2720	5/16-18	1.125	1.500	0.437
GL 2723 *	5/16-18	1.375	1.500	0.437
GL 2724	5/16-18	1.375	1.500	0.437
GL 3320	3/8-16	1.125	1.500	0.437
GL 3323 *	3/8-16	1.375	1.500	0.437
GL 3324	3/8-16	1.375	1.500	0.437
GL 3331 *	3/8-16	1.875	1.500	0.437
GL 3339 *	3/8-16	2.375	1.500	0.437
GL 3340	3/8-16	2.375	1.500	0.437
Length (L) Tolerance	To 1 Inch + .00 -.03	Over 1" to 2" (Inclusive) + .00 -.06	Over 2" + .00 -.09	



Developed for use on carpeted floors, the GL leveling glide is a sleek, attractive unit that will enhance the appearance of your product. The GL is a sturdy Ohio FH leveler encased in a durable polyethylene capsule which is black on top and white on the bottom. The clean, simple lines of the GL leveler harmonize with today's look.



Material:C1010 High-Welding Quality, Low Carbon Steel Finish: Comm Zinc Plus Clear Chromate

Threads: Unified Standard Class 2A ASME B1.1-2003



Buckeye Fasteners, Inc.

5250 West 164th Street • Brook Park, Ohio 44142-1597

(800) 437-1689 • Fax: (216) 267-3228

buckeyefasteners.com • info@buckeyefasteners.com

© 2011 Buckeye Fasteners, Inc. All Rights Reserved

