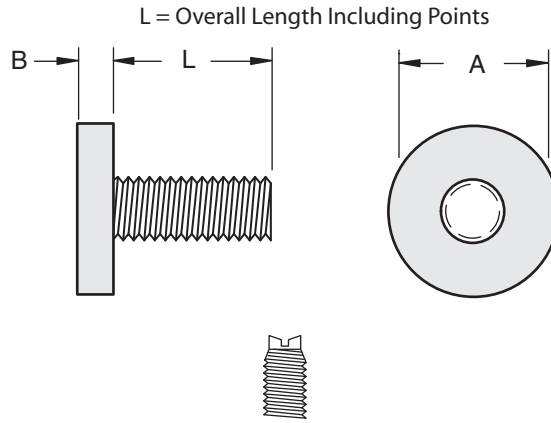


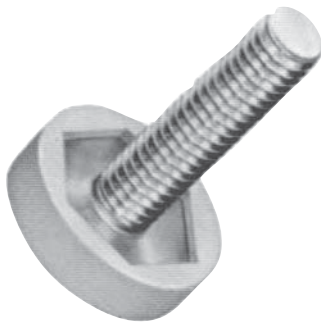
**Adjustable  
Metric  
Leveler With  
Protective  
Base**



**Product  
Specification  
Sheet**

**\* FC • Sizes available with a slotted end for screw driver adjustments.**

Thread Size / Pitch		M6 x 1-6g	M8 x 1.25-6g	M10 x 1.5-6g
Base Across The Flats	A	20.5	25.4	35.0
Base Diameter	B	2.6	3.2	3.9
		2.3	2.9	3.6
Length (Under Head) L Up To 25mm + 0.0 - 0.8 Over 25mm To 50mm + 0.0 - 1.6 Over 50mm + 0.0 - 2.3	25.0		FCM 08025	
	30.0	FCM 06030		
	35.0		FCM 08035	FCM 10035
	40.0		FCM 08040 *	FCM 10040 *
	60.0			FCM 10060
	65.0			FCM 10065 *



The FCM metric adjustable leveler combines the rugged features of Ohio Nut and Bolt's FHM metric leveler with a sturdy LC leveler cap to produce an economical cushioned leveler that is both durable and attractive. The resilient, non-marking properties of the polyethylene pad make the FCM ideal for use on linoleum, vinyl tile and polished floors.



Material: .....C1010 High-Welding Quality, Low Carbon Steel      Finish: .....Plain, Unless Specified  
Threads: .....ASME B1.13M-2005



**Buckeye Fasteners Company**

5250 West 164th Street • Brook Park, Ohio 44142-1597

**(800) 437-1689 • Fax: (216) 267-3228**

buckeyefasteners.com • info@buckeyefasteners.com

© 2012 Buckeye Fasteners, Inc. All Rights Reserved

