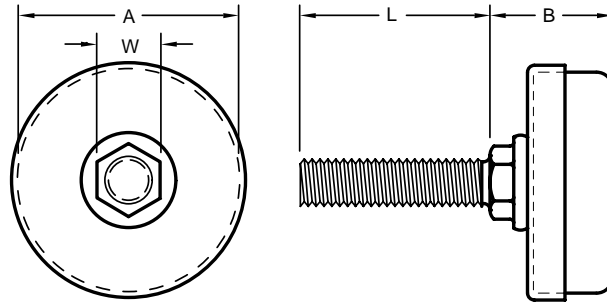


**Adjustable Cushioned Levelers**



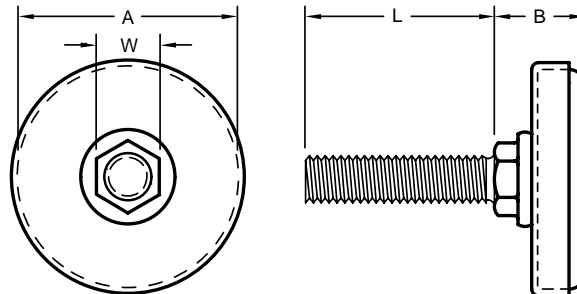
**Product Specification Sheet**



Part Number	Thread Size	Hex Across Flats	Thread Length	Pad Diameter	Hex To Bearing Surface
		W	L +	A	B
FB 2724 FB 2725 *	5/16-18	0.375	1.500 Tol. +.00 -.06	1.000	0.812
FB 3348 FB 3349 *	3/8-16	0.500	3.000 Tol. +.00 -.09	1.500	0.984
FB 4444 FB 4445 *	1/2-13	0.562	2.000 Tol. +.00 -.06	1.500	1.062
METRIC FBM 08040	M8 x 1.25-6g	9.5mm	40mm	25.4mm	20.6mm

\* Black With Black Pad

The FB and metric FBM leveler is a top quality unit that features a thick, vibration dampening, gray neoprene base with a durometer of 65 to 75. The FB style will not mar or streak floors or deface painted or specially finished surfaces. The FB and FBM has a hex shoulder and a turnable screw to ease adjustment under load. This leveler fills a need for a sturdy, high quality unit which provides precision leveling and improved appearance.



Part Number	Thread Size	Hex Across Flats	Thread Length	Pad Diameter	Hex To Bearing Surface
		W	L	A	B
FE 2724 FE 2725 *	5/16-18	0.375	1.500 Tol +.00 -.06	1.000	0.625

\* Black With Black Pad

The FE is a rugged, zinc or black plated leveler with a stationary nylon base. It has full thread length for precise, easy adjustment. The hex shoulder fits standard wrenches. Its tough nylon base permits easy sliding in addition to giving eye appeal to the product.

Material: .....	C1010 High-Welding Quality, Low Carbon Steel	Tensile Strength: .....	60,000 psi
Base .....	FB and FBM: Neoprene, FE: Nylon	Yield Point: .....	30,000 psi
Finish: .....	Zinc With Clear Chromate	Shear Strength: .....	30,000 psi
Threads: .....	Unified Standard Class 2A ASME B1.1-2003	Elongation 2" .....	30% Max.



**Buckeye Fasteners, Inc.**

5250 West 164th Street • Brook Park, Ohio 44142-1597

(800) 437-1689 • Fax: (216) 267-3228

buckeyefasteners.com • info@buckeyefasteners.com

© 2007 Buckeye Fasteners, Inc. All Rights Reserved

